

Montering / Mounting

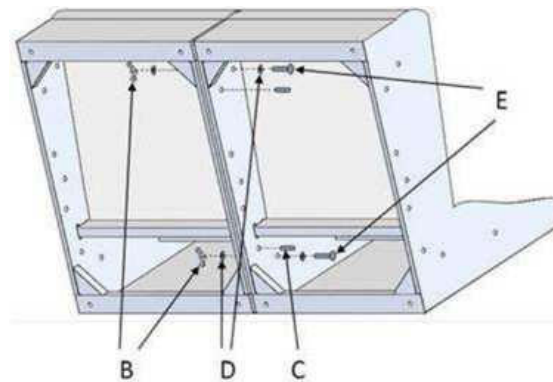
SANTANA

Deler / Parts:

| A: | B: | C: | D: |
|------------------------|------------------------------|---------------------|-------------------|
| Skrue / Screw M8x40 | Vingemutter / Wing Nut M8 | Tapp / Peg 12x50 | Skive / Washer |
| | | | |

| E: | F: | G: |
|------------------------|----------------------|----------------------|
| Skrue / Screw M8x50 | Ben / Legs 180 mm | Ben / Legs 100 mm |
| | | |

Sammenkopling / Connection:



Seam on rear!

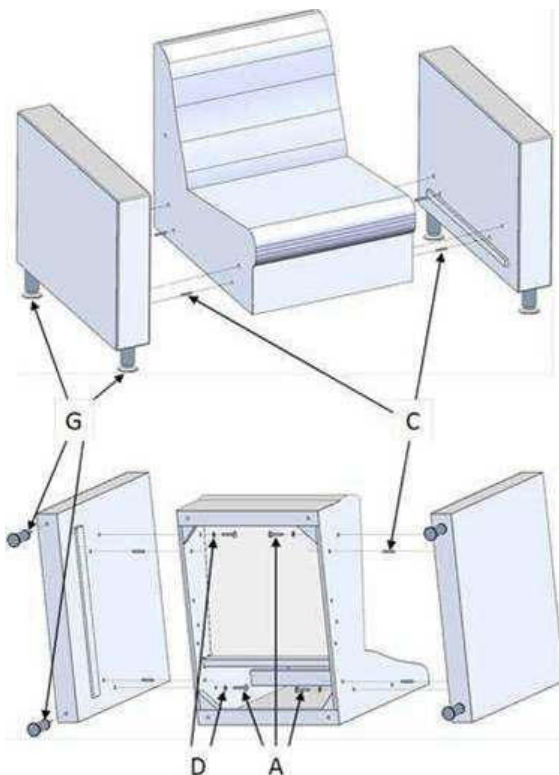
VIKTIG!

Etterstramming av skrueforbindelser: Treverk er et levende materiale. Når det trekker seg sammen og utvider seg i takt med variasjoner i luftfuktighet og romtemperatur, vil treverket rundt skrueforbindelser utvides/komprimeres, men den metallbaserte skruen er stabil. Dette medfører at forbindelsene blir løsere. I tillegg til dette vil aktivt bruk av møbelet også gi den samme effekten. Derfor må skrueforbindelser etterstrammes:

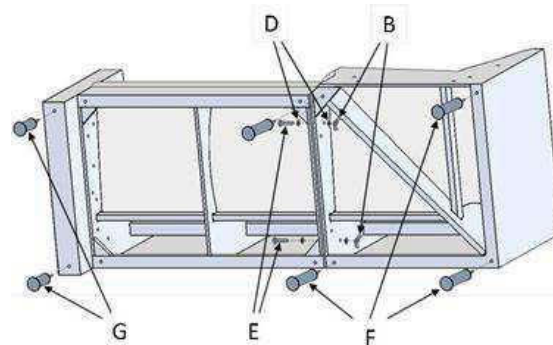
- Første gang etter 14 dager.
- Andre gang etter 6 måneder.
- Deretter minimum én gang i året.

Behovet vil variere avhengig av variasjoner i romtemperatur, luftfuktighet og bruksintensitet.

Montering av vanger / Mounting of Sides:



Montering av hjørne / Mounting of Corner:



Montering av ben / Mounting of Legs:

NB! Sømmen bak



Seam on rear!

IMPORTANT!

Tightening screw connections: Wood is a living material. As it contracts and expands with variations in humidity and room temperature, the wood around screw connections will expand/compress, but the metal-based screw is stable. This causes the connections to become looser. In addition to this, active use of the furniture will also produce the same effect. Therefore, screw connections must be retightened:

- First time after 14 days.
- Second time after 6 months.
- Then at least once a year.

The need will vary depending on variations in room temperature, humidity and intensity of use.

FURNITURE CARE AND MAINTENANCE

To ensure the longest lifespan of the furniture, the individual supplier's advice on use, care and maintenance of the furniture and various furniture materials must be followed!

GENERAL ABOUT FURNITURE CARE AND MAINTENANCE

Normal degradation over time – changes in appearance and deterioration – especially of textiles and leather, due to use and wear and tear, must be expected on all furniture. If, contrary to expectations, a new piece of furniture has a defect, you as the buyer must notify the point of sale within a reasonable time after you have discovered the defect – or should have discovered it – that you want to file a complaint.

For the furniture to look good for as long as possible, it is important that you take good care of it. Remember that neither furniture leather nor furniture fabrics are self-cleaning or maintenance-free and are affected by both the outer skin, hair, acidic sweat, and discoloration from denim trousers. In addition, spills also leave marks that must be treated immediately.

Sofas and chairs are the furniture that is used to the greatest extent. It is therefore important that you have knowledge of the properties and qualities of furniture leather and textiles, to know how to maintain and clean them in the best possible way. Nevertheless, you must calculate normal wear and tear/degradation over time.

The maintenance guide below describes recommendations for dust-drying, cleaning and stain removal in relation to both furniture textiles, furniture leather, wood and some other common furniture surfaces. [For guidance on the care/maintenance of furniture, reference is made to the relevant supplier's guidance – be it a supplier of textiles, furniture leather, varnish, etc.](#)

FURNITURE TEXTILES

GENERAL ABOUT FURNITURE TEXTILES

Dirt and dust left in the fabric help to break down the textile fibers and greatly contribute to shortening the fabric's lifespan. Regular (weekly) vacuuming with a soft brush inhibits degradation and is necessary for the fabric to achieve a long service life.

MAINTENANCE FACTORS

1. Main Cleaning:

Start cleaning the upholstery fabric as soon as you see that vacuuming and regular dusting are no longer enough. A foam cleaner is recommended for main cleaning. Contact the furniture dealer for guidance. How often this should be done depends on the use of the furniture, but the parts of the furniture that come into contact with the body should be cleaned at least once a quarter.

2. Stain Removal:

When the accident is over, it is important to get the spill/stain removed

as quickly as possible. A new stain is easier to remove than an old one. If you get a stain that you are unsure how to remove, you should contact the furniture's dealer. For stain removal, you should avoid common household detergents as many of them are too strong for the fabric, and ANY other products that contain solvents or oil, as they can damage the fabrics.

3. Control of Color Fastness:

For main cleaning and stain removal, you should always check that the fabric's dyes are compatible with the detergent you are going to use. Do a test on a place on the furniture that is not visible. Let it dry and check the result.

- **Natural Fibers** – textiles made from natural fibers such as cotton, linen, and wool, or from the synthetic fiber viscose, are very comfortable because they breathe and absorb sweat. These textiles are hydrophilic – attract and absorb water and anything that contains water. The textiles are also oleophilic – absorb oil and grease, e.g. the fatty acids from sweat.
- **Synthetic Fibers** – textiles made from synthetic fibers such as polyester, polyamide and acrylic have exceptional mechanical resistance. These textiles are hydrophobic – repel water and other bags. Stains from bag spills and water-based products are not absorbed by the fibers, and these stains are therefore easier to remove. However, the fibers are oleophilic – attract oil and grease.
- **Mixed Fibers** – textiles made from mixed fibers – various combinations of natural, artificial, and synthetic fibers, are highly resistant to stains and have excellent comfort.

4. Precautions for Furniture Textiles:

The most important considerations for your furniture: Cleaning, light-fastness, avoiding damage, the lifespan of furniture textiles and pets.

- **Fastness to Light** – Many pieces of furniture are unnecessarily damaged by the effects of sunlight. Remember that any exposure to light will weaken both the fibers and the dyes in the textile. Even if the furniture textile has been tested and approved for lightfastness, the furniture should be placed so that direct sunlight and sharp reflections are avoided. Blinds or awnings are recommended, but at the same time be aware that not all textiles in awnings or curtains stop harmful UV rays. It is important to consider that the sun shines into the room even when we ourselves are not present! Especially the "low" sun at our latitudes reaches far into space – all day long. If you are going to be away for a long time, the furniture should be specially covered. Ask your furniture dealer how you can best protect your furniture so that it does not deteriorate unnecessarily from sunlight.
- **How to Avoid Damage to Furniture Textiles** – Clothes with extremely rough seams or sharp details such as e.g. rivets, or belts with metal fittings, increase wear and tear and can pull out threads. Denim clothes – especially new ones, and clothes with unwashed dyes, can cause discoloration. Objects or tools in back

pockets can damage the upholstery fabric.

- **The Lifespan of Furniture Textiles** – Lack of care and maintenance reduces the lifespan of the fabric. If the piece of furniture is used extremely often every day, covers and arm protectors are recommended (can be ordered for most pieces of furniture).
- **Pets** – Pets and upholstered furniture do not go together. Hair, claws and drool wear hard on the fabric. Four-legged family members should be in their basket, not in the furniture.

FURNITURE LEATHER

GENERALLY, ABOUT FURNITURE LEATHER

The supplier's advice on the use, care and maintenance of leather furniture should always be followed, because it is the individual retailer, furniture manufacturer and supplier of the leather itself that can vouch for what the individual product can withstand and require.

LEATHER – A NATURAL PRODUCT

Furniture hides are made from hides from cattle. As is natural, scars, insect bites, color variations etc. may occur. How much of these natural marks show on the furniture leather depends on various factors, including which treatment the surface of the leather receives. Furniture leather will often change its appearance after prolonged use. Anyone who buys leather furniture must know how to appreciate this form of patina.

THE DIFFERENT FURNITURE LEATHER QUALITIES/TYPES

Leather used for furniture is usually from cattle – cow, ox, or buffalo. Most are from cows because the supply of such leather is relatively stable, and because the size and properties make cow leather well suited. There are many steps in the process from slaughtering the animal until the leather is on the furniture. For the tanneries that supply the furniture leather, it is important to know what the customer (the furniture manufacturer) wants from i.e. quality and surface treatment. Prices vary widely, depending on quality class or sorting, and desired properties.

- **Aniline Hides** – aniline-dyed hides are sorted out early in the process and such hides have hardly been processed after tanning. The scar is original, and insect bites and wound marks will appear on this type of leather. Occasionally, aniline leather gets a thin color pigment or final layer over the base color. These leathers are very soft and comfortable, they have preserved their breathability and are the "best" quality. Aniline leather makes up only a small part of the total production in a tannery and the price is very high. The color selection is not determined by the furniture manufacturers, but they must choose from the selection the tannery can offer.
- **Semi-Aniline Leather** is slightly more processed than aniline-dyed leather and is a cross between aniline leather and corrected leather. A little more color is used here, and the furniture manufacturers can determine the colors to a greater extent. Often these hides are also artificially grained.

- **Corrected Hides** are the cheapest and most processed. Here, the furniture manufacturers can order exactly the shade of color they want, from completely black to white. Due to the surface treatment, such hides do not have the same breathability as the aniline hides.

PRECAUTIONS FOR FURNITURE LEATHER

1. Armrests and neck cushions are exposed to grease and sweat which can result in dark spots, and over time break down the furniture leather.
2. Chemicals from, for example, hair gel and hand creams can cause similar damage.
3. All dust and dirt from, for example, clothing, damages the furniture if it is not removed.
4. Pets absolutely do not belong in the furniture!
5. Sunlight will cause fading and dry out the furniture leather. Influence from other heat sources will also lead to a risk of drying out and changing the color of e.g. light leather (avoid placing a PC with a hot PC battery directly on furniture leather).
6. Use of covers, blankets and sofa cushions is a good help in preventing injuries.

GENERAL ABOUT THE MAINTENANCE OF FURNITURE LEATHER

It is important to follow the supplier's advice on the use, care, and maintenance of leather furniture, and it is important to know the quality of the furniture leather in question. Always follow maintenance instructions attached to the furniture – most furniture manufacturers send their own product information with each piece of furniture.

STAIN REMOVAL AND CLEANING OF FURNITURE LEATHER

1. Water-soluble stains should be washed away as soon as possible with a clean, white, soft cloth or sponge well wrung out in lukewarm water (preferably boiled water).
2. Regular cleaning and removal of dust should be done frequently using vacuuming with a soft brush and dusting with a clean, white, damp cotton cloth.
3. Do not use chemicals on furniture leather. If there is a need for stain removal, cleaning, etc. contact the furniture dealer who can provide guidance in the relevant situation.
4. Leather furniture thrives best if it is protected from sunlight, drying out and heat sources.

PRECAUTIONS WHEN USING DISINFECTANTS

Good hygiene, maintenance and regular cleaning are important to minimize the risk of contamination and the spread of bacteria and viruses. It is important to clean the fabric very well before disinfecting. Always check the manufacturer's website for a maintenance guide and washing instructions.

Polyester and Trevira CS

To prevent viruses and bacteria from settling on polyester and Trevira CS fabric, you should clean and wash regularly with soap and water. Disinfectant (70-85 %) can be used by spraying directly on the fabric. Avoid getting it completely wet. See the textile manufacturer's instructions.

Surfaces must be cleaned with ethanol before disinfection, by spraying on a thin layer or using a clean cloth moistened with ethanol to wipe surfaces. Allow to dry before use.

Note that the use of ethanol may cause some color bleaching, as well as that it may damage the flame-retardant properties of the substance. Use neutral ethanol.

Artificial leather

Use a soft cloth or brush with lukewarm PH-neutral soapy water. Cleaning can be done with approved, alcohol-based cleaning agents. Important to wipe with a damp cloth with clean water after washing and using disinfectants! Solvents or chemical cleaning agents must not be used!

Any stains from ink, wine, coffee, oil, grease and color pigments must be removed immediately.

Wool Fabric

Wool has antimicrobial properties that inhibit the growth of various types of micro-organisms, such as mould, bacteria, and viruses. It is important to keep the wool dry.

Wool fabric can be disinfected with ethanol, but professional cleaning is recommended. Ethanol-based disinfectants can be used, but they will destroy the wool's natural fat (lanolin), cause color changes and reduce the fabric's lifespan.

In case of contamination, furniture with wool fabric should be left unused for the recommended period given by the manufacturer.

Lacquer on Wood

On products made of wood, we use an environmentally friendly, water-based 3-layer matt lacquer with high durability in line with the criteria in Swedish Möbelfakta. After washing or using disinfectants, it must be wiped with a damp cloth. Solvents or chemical cleaning agents must not be used!

WOOD AND SURFACES

GENERALLY, ABOUT WOOD AND SURFACES

Wood needs care, consideration, and maintenance if it is to retain its distinctive character and character. Untreated wood is delicate and should therefore be regularly cleaned and treated. Solid wood furniture is not recommended to be placed in direct sunlight, near heat sources or in rooms where the climate fluctuates a lot. This is because tensions can then arise in glued connections and in furniture boards which can

result in these cracking.

MAINTENANCE AND CLEANING OF VARIOUS SURFACES

• Untreated Wood:

Wash with soap and water. Use a scouring pad on stains that do not come off with soapy water. Always cut in the lengthwise direction of the tree. Rinse off all soap and dry well at the end. Do not place tablecloths or place objects on the table until the surface is completely dry.

• Lacquered and Painted Wooden Surfaces:

Has a strong, smooth, and usually water-repellent surface during normal use and cleaning. Clean with a slightly damp cloth. Solvents should not be used.

• Waxed Wooden Surfaces:

Hard wax can almost be compared to lacquered surfaces, while the soft wax can be compared in quality to oiled surfaces. The surface is easy to care for but not particularly resistant. Clean carefully with a slightly damp cloth and should be treated according to the descriptions given by the manufacturer and supplier.

• Oiled Wooden Furniture:

Has a somewhat fatter surface that is more susceptible to dirt and liquids than other treated surfaces. Therefore, these must be washed and treated often. Cleaned with care and should be treated with furniture oils as recommended by the manufacturer and furniture dealer. Do not place tablecloths or place objects on the table until the surface is completely dry.

POWDER COATED SURFACES (STEEL, MDF, ETC.)

The surface can be made somewhat differently, depending on how the customer wants it. Powder-coated surfaces can be described as resistant to wear. Cleaning is carried out with a slightly damp cloth. Stain removal is done with all-purpose cleaner and in some cases white spirit.

• Steel Surfaces:

A soft cloth is used for daily cleaning. To protect the surface and simplify cleaning, you can apply a thin layer of wax with added silicone.

• Plastic Surfaces:

Plasters have different properties depending on the areas of use they are intended to cover. Cleaning is best done with a cloth dampened in lukewarm water with small amounts of synthetic detergent added. For stain removal, a stronger dosage of detergent is used (see also supplier/manufacturer's instructions).

• Furniture with Mounting Hardware:

The indoor climate varies with the seasons. It is driest in late winter when we fire and most humid in autumn. The wood is hygroscopic – it absorbs and emits moisture depending on the climate and shrinks and swells as the climate changes. This means that furniture that is put together with mounting hardware can become somewhat loose in dry periods. Therefore, go over the mounting brackets and tighten them if necessary.

Source: Mobelfakta.no

Ver. 3